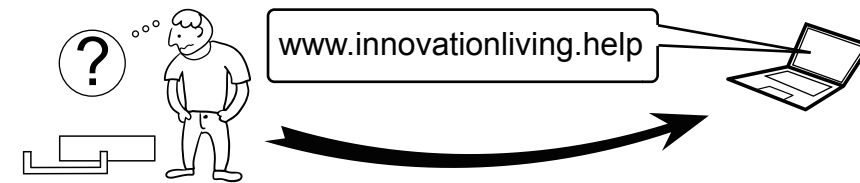
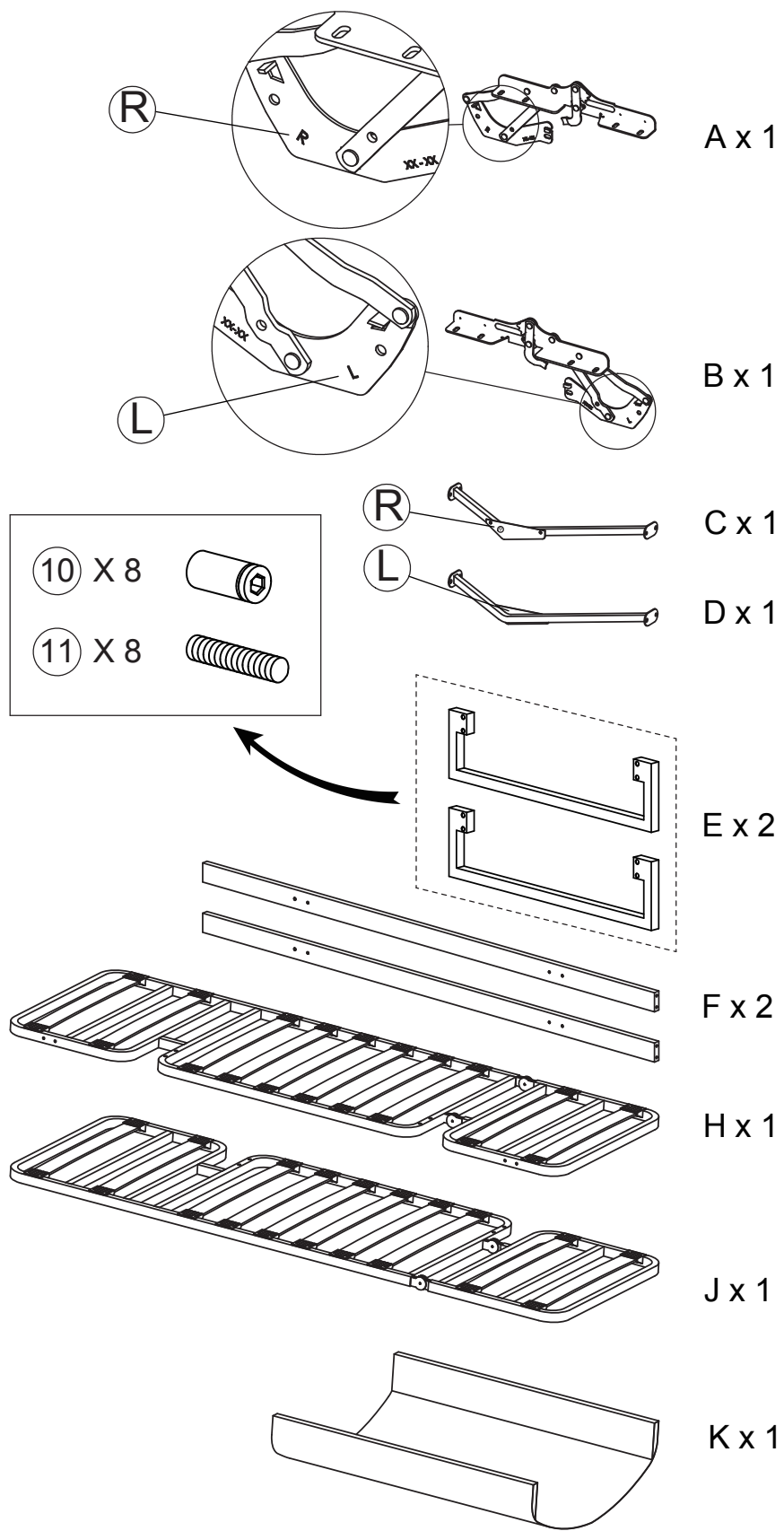
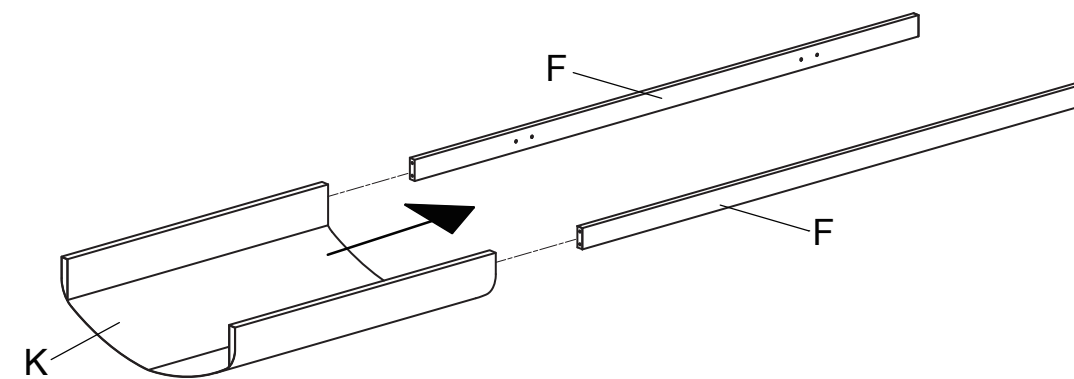


- ① X 20
- ② X 2
- ③ X 8
- ④ X 8
- ⑤ X 2
- ⑥ X 1
- ⑦ X 1
- ⑧ X 2
- ⑨ X 4

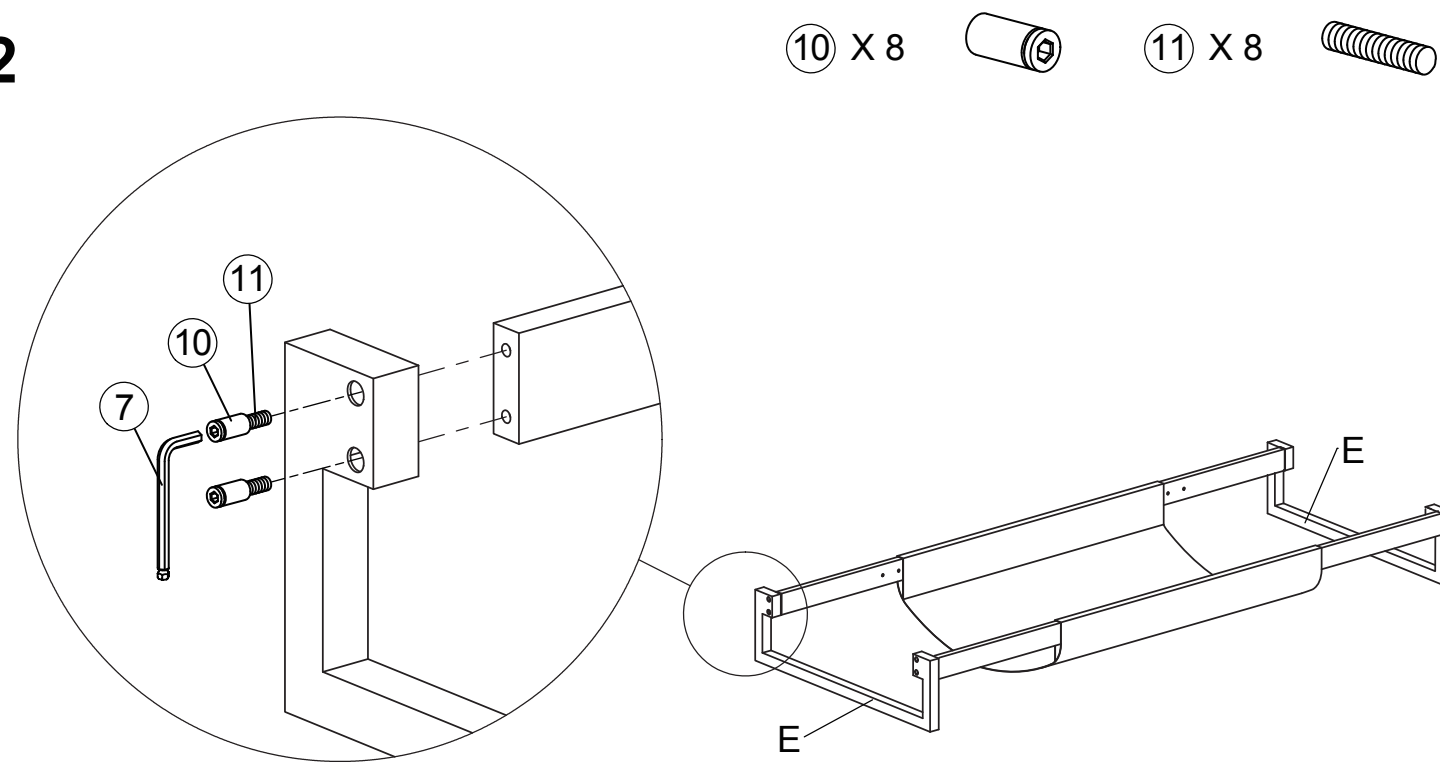


069708
FRACTION 140

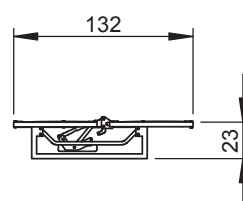
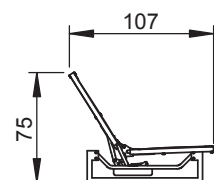
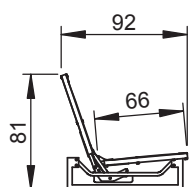
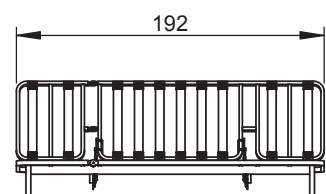
1




2

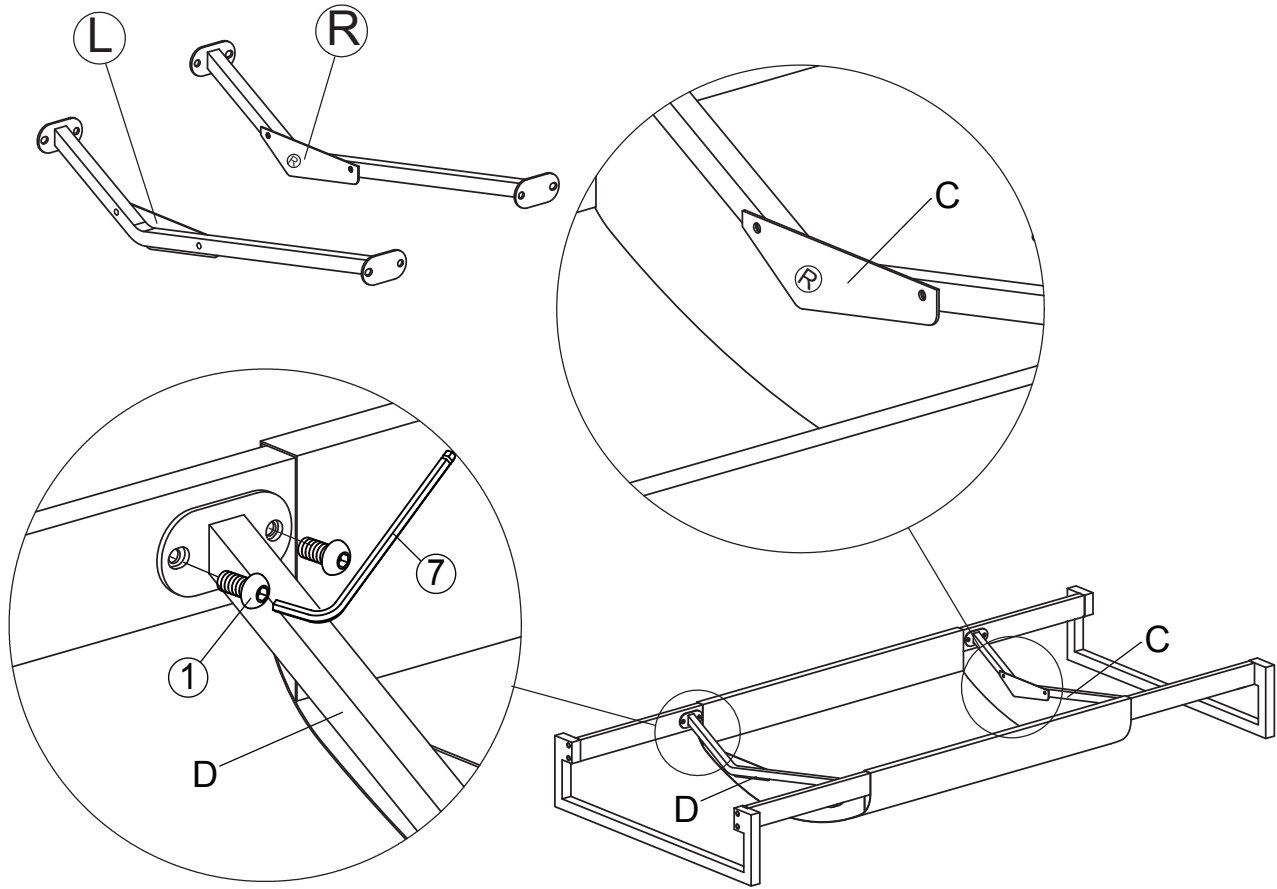


2.54 CM = 1 US INCH




3

① X 8 

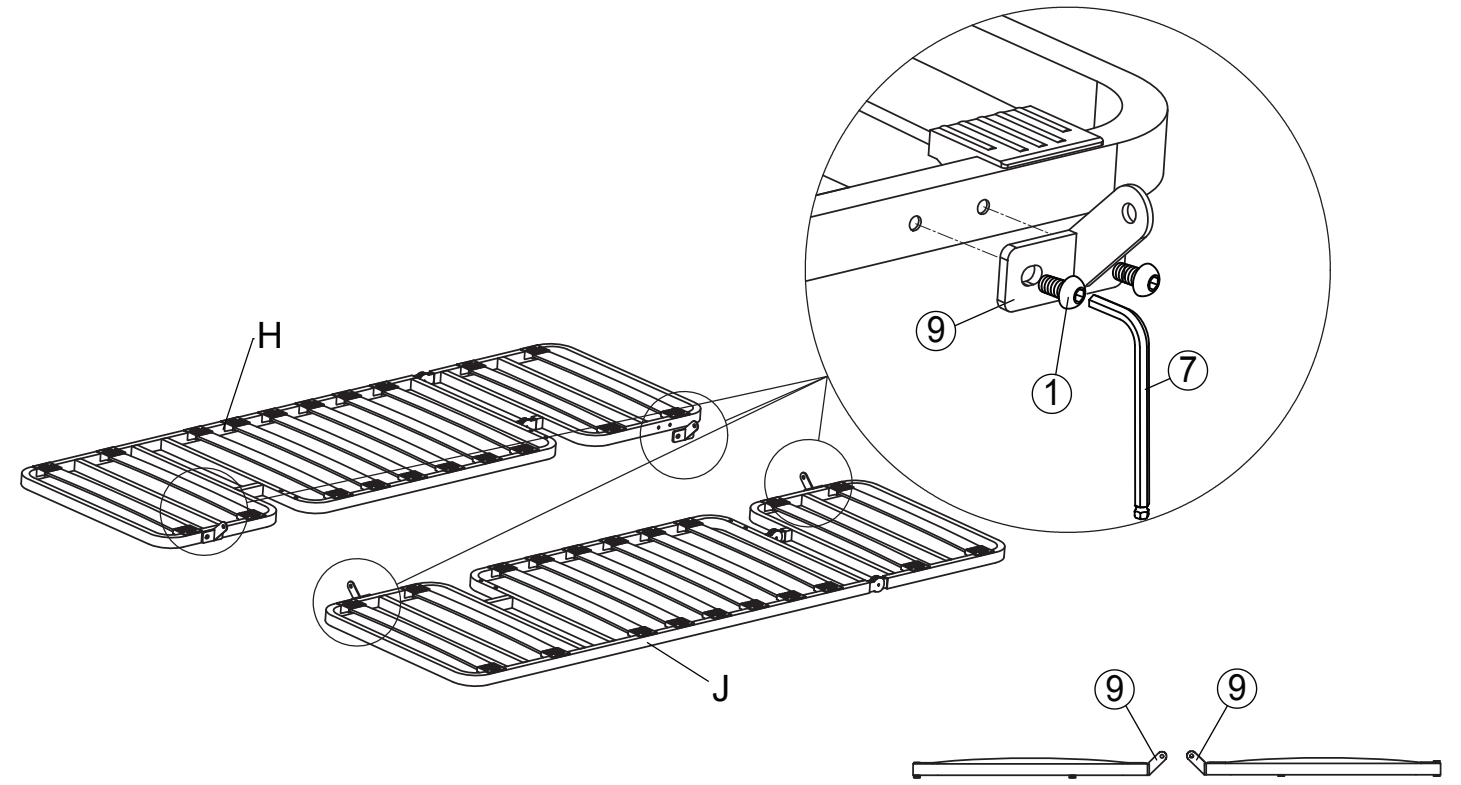


069708
FRACTION 140

5

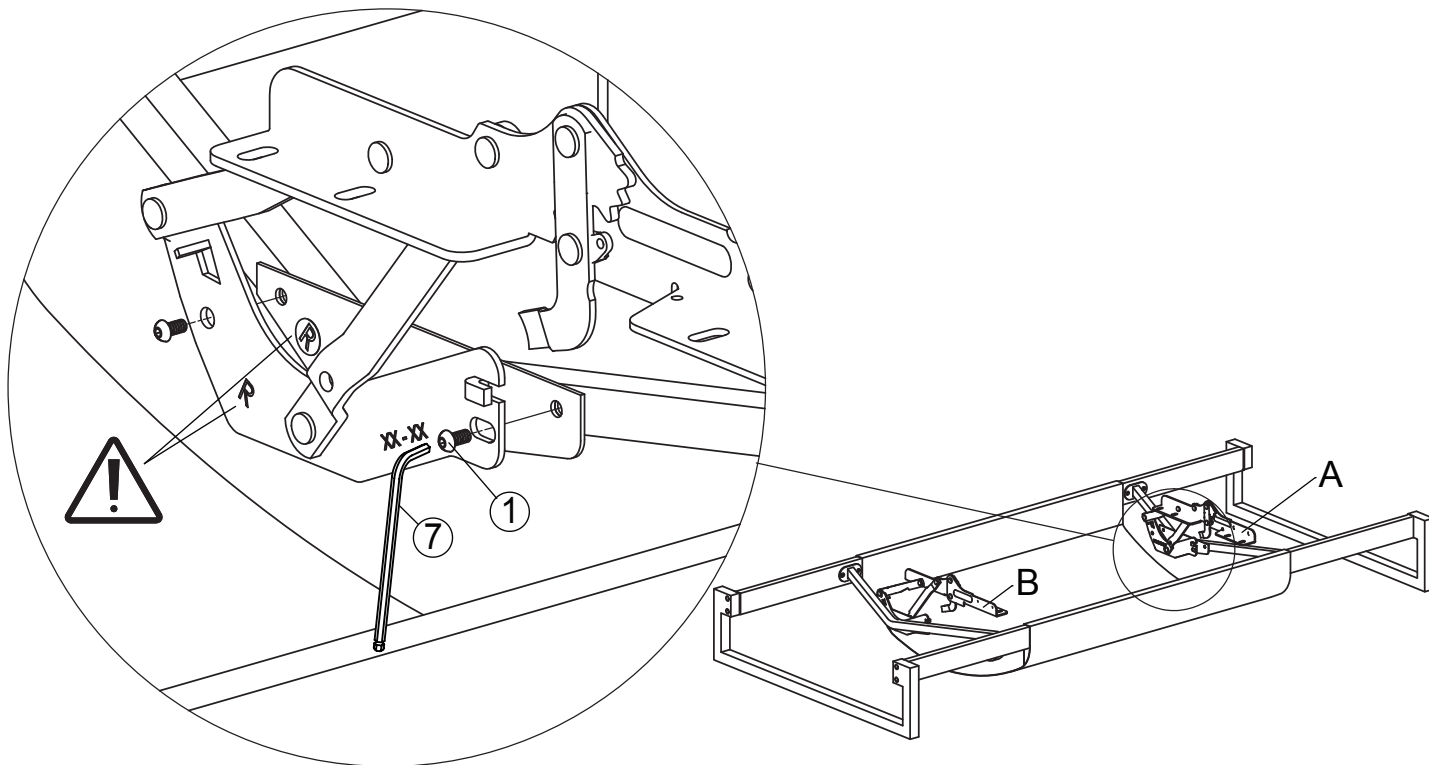
① X 8 

⑨ X 4 



4

① X 4 

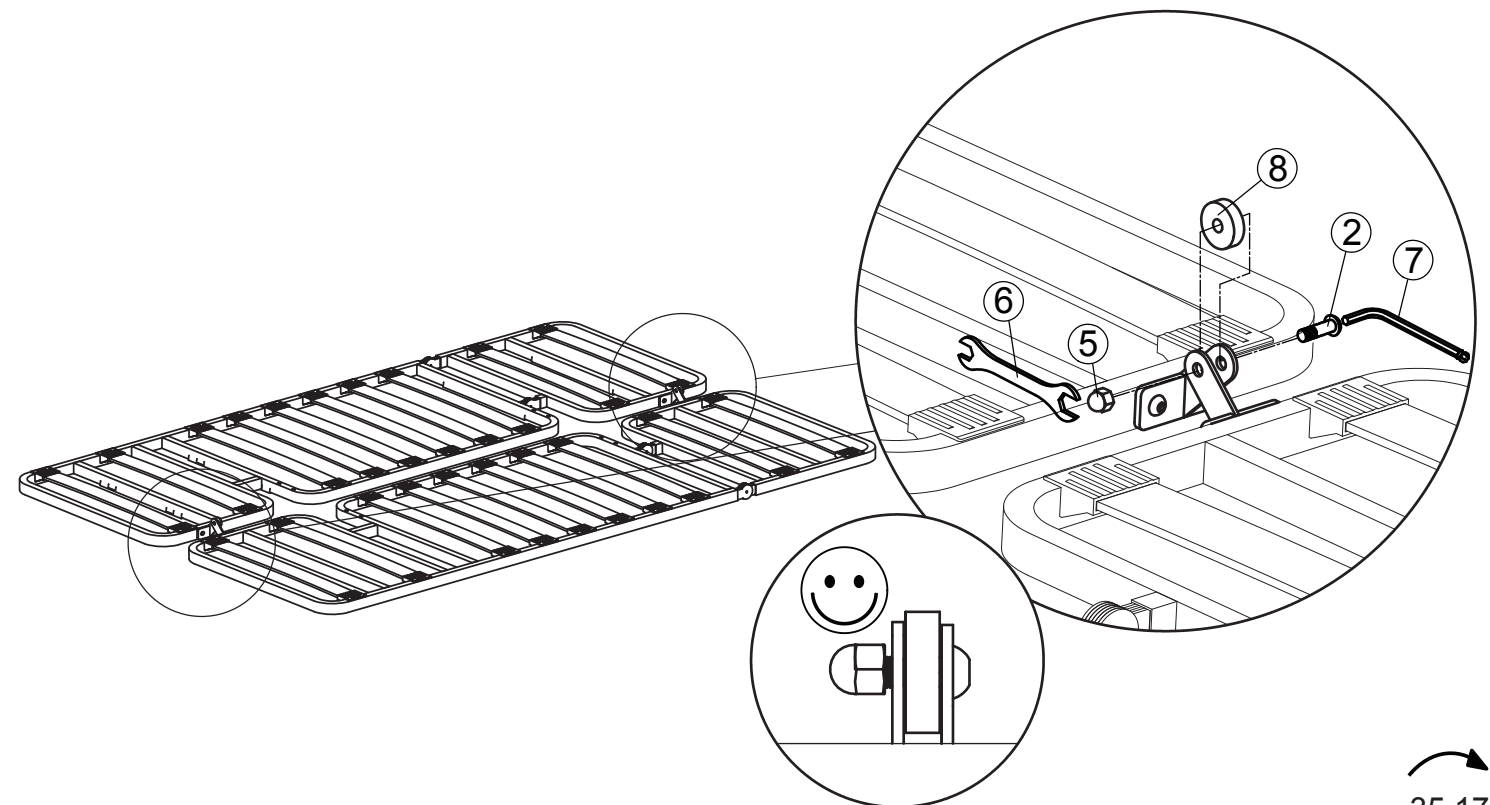




6

② X 2 

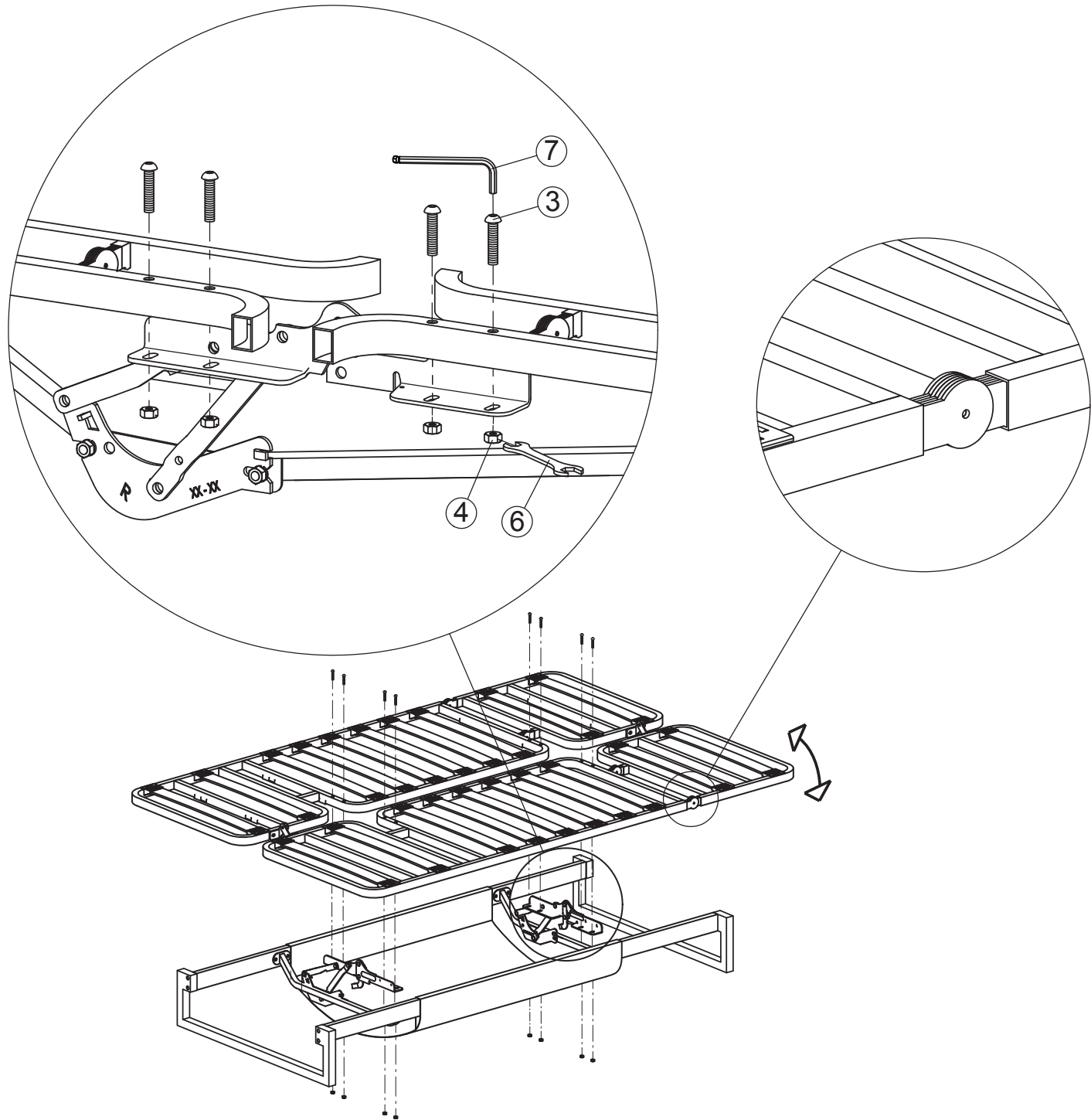
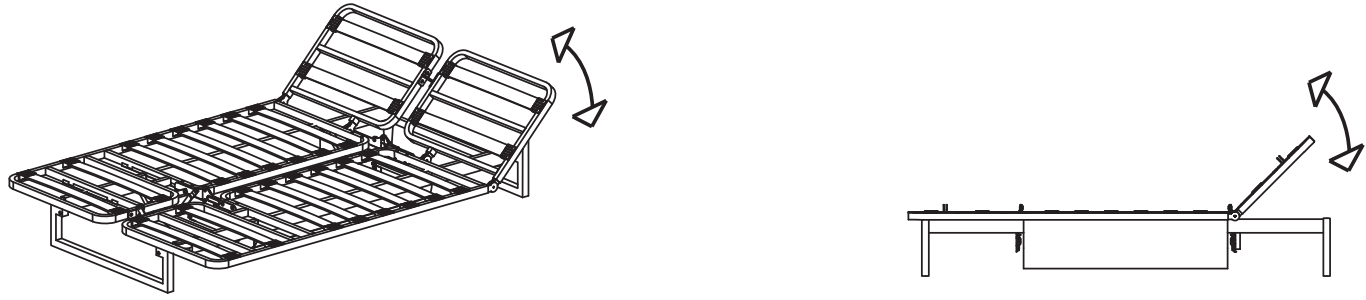
⑤ X 2 

⑧ X 2 




③ X 8  ④ X 8 

7-A



7-B

③ X 8  ④ X 8 